

A 1000

The A1000 can deliver a large variety of espresso beverages and with integrated features like the FoamMaster™ and iQFlow™, the options are endless. And with the optional Flavor Station you have six flavors to choose from. The 10.4-inch intuitive and configurable touch screen also guarantees full flexibility, making the A1000 a state-of-the-art coffee machine that can always be relied on, no matter how many coffees you deliver in a day. On the operational side of things, the integrated and fully automatic CleanMaster™ means your machine is guaranteed to meet the strictest hygiene standards, while our outstanding design allows the A1000 to blend perfectly with your surroundings or act as an inviting focal point.

RECOMMENDED DAILY OUTPUT

Cups per Day: Up to 300



iQFlow™

the groundbreaking technology that extracts more flavor for unrivaled in-cup-quality



TOUCH SCREEN

10.4-inch display with incredibly simple operating concept and attractive product presentation



FOAMMASTER™

module integrated as standard for perfect foam, every time



CLEANMASTER™

Fully automatic cleaning process meeting highest hygiene standards

FRANKE

MAKE IT WONDERFUL

YOUR A1000: CONFIGURED TO YOUR PREFERENCES

1 A1000 FEATURES

- Bean hoppers/ bean grinders: 2 x 2.6 lbs, lockable
- Two separate powder dosing systems: 2 x 1.3 lbs (for chocolate or chai powder), lockable
- Cup sensor
- iQFlow™
- Automatic height-adjustable dispensing outlet

Optional Features:

- Coffee grounds chute

Special Order:

- Third bean hopper/ bean grinder: 1 x 1.3 lbs, lockable
- Autosteam Pro (S3) steam wand (automatic milk foaming)

2 MILK AND CLEANING SYSTEM

- FoamMaster™ (FM): hot and cold milk and milk foam, individually adjustable consistency, integrated cleaning system
- CleanMaster (CM): fully automatic cleaning system with integrated cleaning cartridge and integrated cleaning tank. For outstanding hygiene and unbeatable simplicity, efficiency, and convenience.

Milk Capacity:

- 2 x 1 gallon, 2 x 4 liter container or 1 x 10 liter container

3 FLAVOR STATION

- Automatic dosing station for up to six flavors.

4 ACCOUNTING SYSTEM

- Can be used for various payment methods, Mastercard or Visa cards, Apple Pay and NFC (near field communication) payment methods

5 CUP WARMER

- With four heatable trays.



Black/chrome

Special Order:

Anthracite/chrome

White/chrome

FLEXIBILITY

Our product portfolio allows various assembly options – tailored to your needs.



MAKE IT WONDERFUL

Franke Kaffeemaschinen AG
cs-info.ch@franke.com

Franke Coffee Systems GmbH
cs-info.de@franke.com

Franke Coffee Systems Americas
cs-coffeesales.us@franke.com

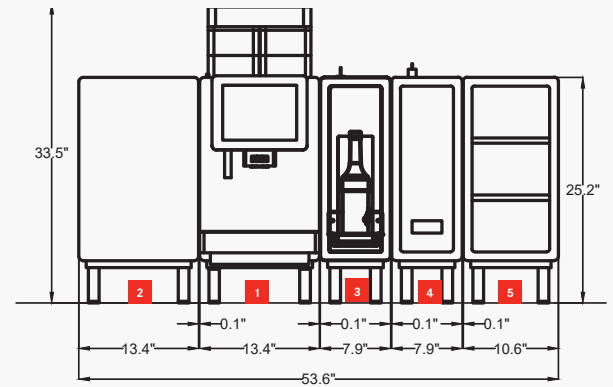
Franke Coffee Systems UK
sales@Frankecoffeesystems.co.uk

800.310.5710
coffee.franke.com

TECHNICAL DATA

MACHINE MODEL

| | |
|-----------------------|-----------------------------------|
| 1 A1000 FM CM | |
| Electrical Connection | 208V (30 A) |
| Dimensions | 13.4 in/ 33.5 in/ 23.6 in (W/H/D) |
| Weight (empty) | 220 lbs (FM CM incl. SU12 CM) |

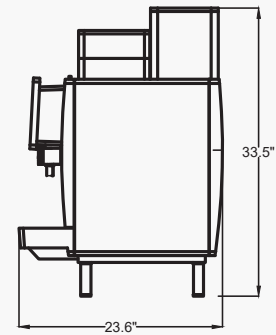


L6-30R



WATER QUALITY REQUIREMENTS

| | |
|--------------------------|---|
| Aroma | Fresh and pure taste, with no perceptible aroma |
| Color | Clear |
| Total Hardness | 70 – 140 ppm (mg/l) |
| | 4-8 gpg |
| Carbonate hardness | 3 - 6° dH CH (carbonate hardness) |
| | 50 – 105 ppm (mg/l) |
| Acid content/ph value | 6.5 – 7.5 pH |
| Chlorine content | < 0.5 mg/l |
| Chloride content | < 30 mg/l |
| TDS | 30 – 150 ppm (mg/l) |
| (Total dissolved solids) | |
| Electrical conductivity | 50 – 200 µS/cm (microsiemens) |
| Iron Content | < 0.3 mg/l |
| Water pressure | 80 – 800 kPa (0.8 – 8 bar) |
| Flow rate | > 0.1 l/sec |
| Water temperature | < 25°C |



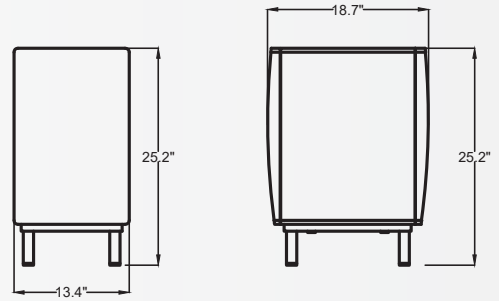
WATER CONNECTION AND DRAIN

| | |
|------------------|-------------------------------------|
| Water connection | 3/8" compression fitting, L = 59 in |
| Drain hose | 2x Dia = 0.75 in, L = 78.7 In |

ADD-ON UNITS

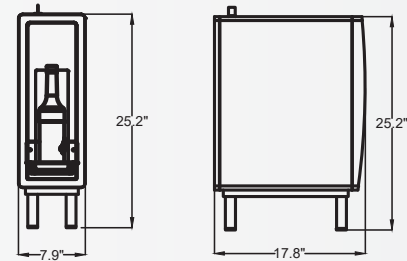
2 REFRIGERATION UNIT

| | |
|-----------------------|------------------------------------|
| Electrical connection | SU12 CM (12 I) 120V (15 A) |
| Dimensions | 13.4 in / 25.3 in / 18.7in (W/H/D) |
| Weight (empty) | approx. 57 lbs |
| Colors | Black |



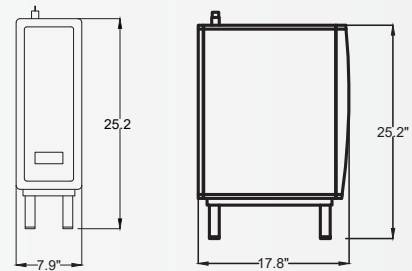
3 FLAVOR STATION

| | |
|-----------------------|----------------------------------|
| Electrical connection | FS6 120V (10 A) |
| Dimensions | 7.9" / 25.2 in / 17.8 in (W/H/D) |
| Weight (empty) | approx. 48 lbs |
| Colors | Black |



4 ACCOUNTING SYSTEM

| | |
|-----------------------|-----------------------------------|
| Accounting systems | AC 200 Cashless payment system |
| Electrical connection | 120V (10 A) |
| Dimensions | 7.9 in / 25.2 in / 17.8 in |
| Weight (empty) | approx. 40 lbs |
| Colors | Black |



ACCOUNTING SYSTEM

| | |
|-----------------------|------------------------------------|
| Accounting systems | AC125CL Cashless payment system |
| Electrical connection | 120V (10 A) |
| Dimensions | 5 in x 6 in x 12 in |
| Weight (empty) | 4 lbs |
| Colors | Black |



ADD-ON UNITS

5 CUP WARMER

Electrical connection

Dimensions

Weight (empty)

Compatible with

Colors

CW

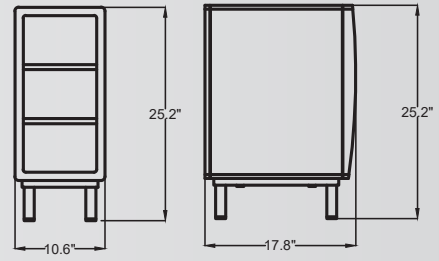
120V (15 A)

10.6 in x 25.2 in x 17.9 in

44 lbs

A1000 FM CM

Black



5-15R



Intertek

3123505

ETL LISTED CONFORMS TO
UL STD 197 CERTIFIED TO
CSA STD C22.2
NO 109



Intertek

CONFORMS TO
NSF STD 4